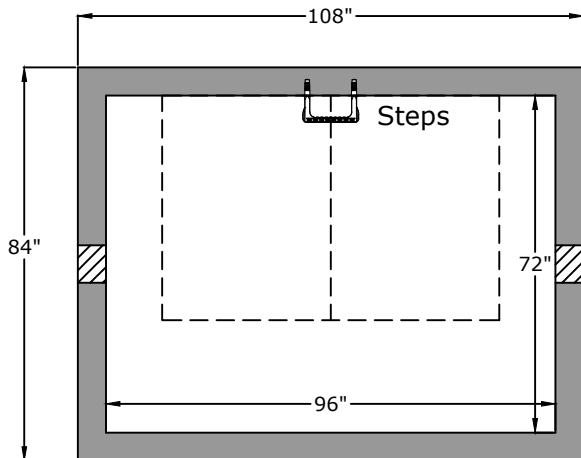
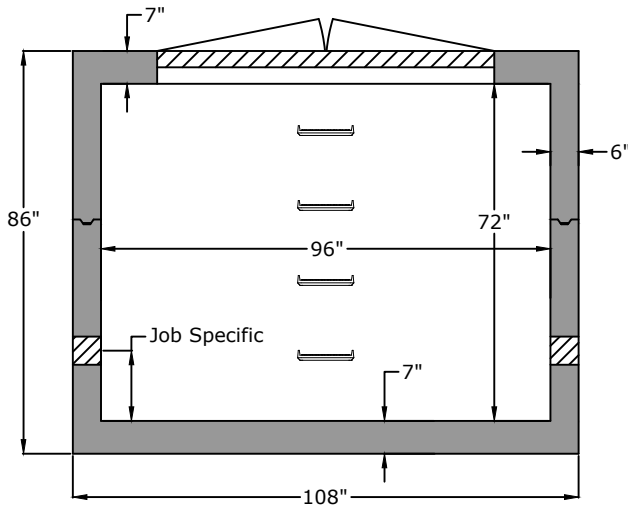


Top View



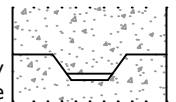
Side View

48" x 72" Aluminum Hatch



Joint Detail

Positive Lock Male/Female Keyway
+/- 0.005" tolerance



Approved for Production

Project: _____ Date: _____

Quantity: _____ By: _____

BARGER
PRECAST

Specifications

- Concrete:** 5,000 psi minimum strength (28 day)
- Reinforcing:** Primary reinforcement will be a #3 rebar (Grade 60) rebar.
- Pipe Penetrations:** The inlet and outlet are fitted with solid seals or a grout connection. All pipe penetrations are placed according to job requirements.
- Pipe Stands:** Pipe stands can be provided to support assembly.
- Sealant:** Sealant used will meet or exceed ASTM C990.
- Steps:** Aligned under hatch unless specified.
- General:** Meter vaults are not water tight structures.

96" x 72" x 72" Vault

C.R. Barger & Sons, Inc.
P.O. Box 370 - Kingston TN 37763
Phone 888.882.5860 - BargerAndSons.com

Date: 11.022021

Last updated: 11.022021

Drawn by: Eric Barger